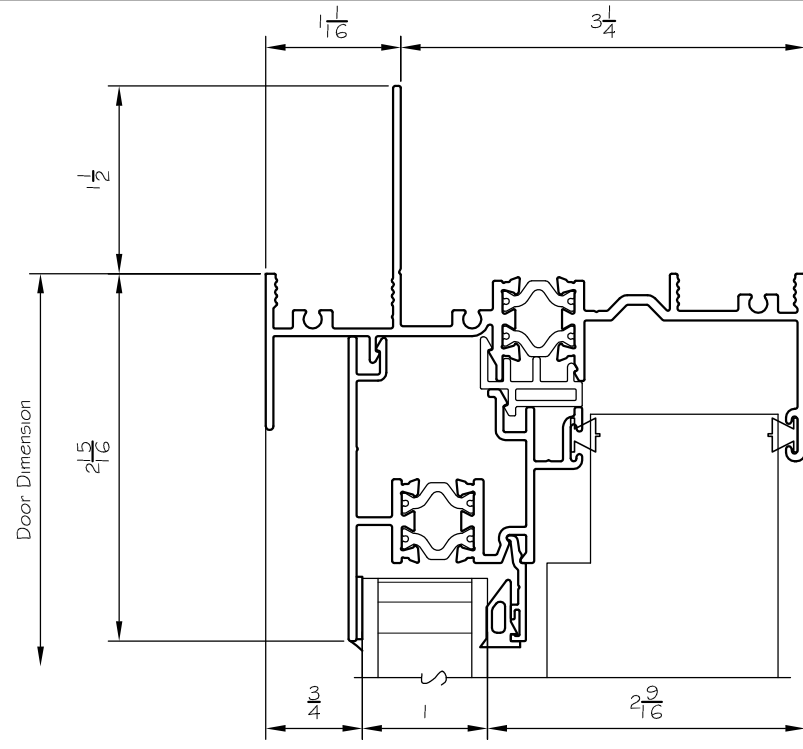
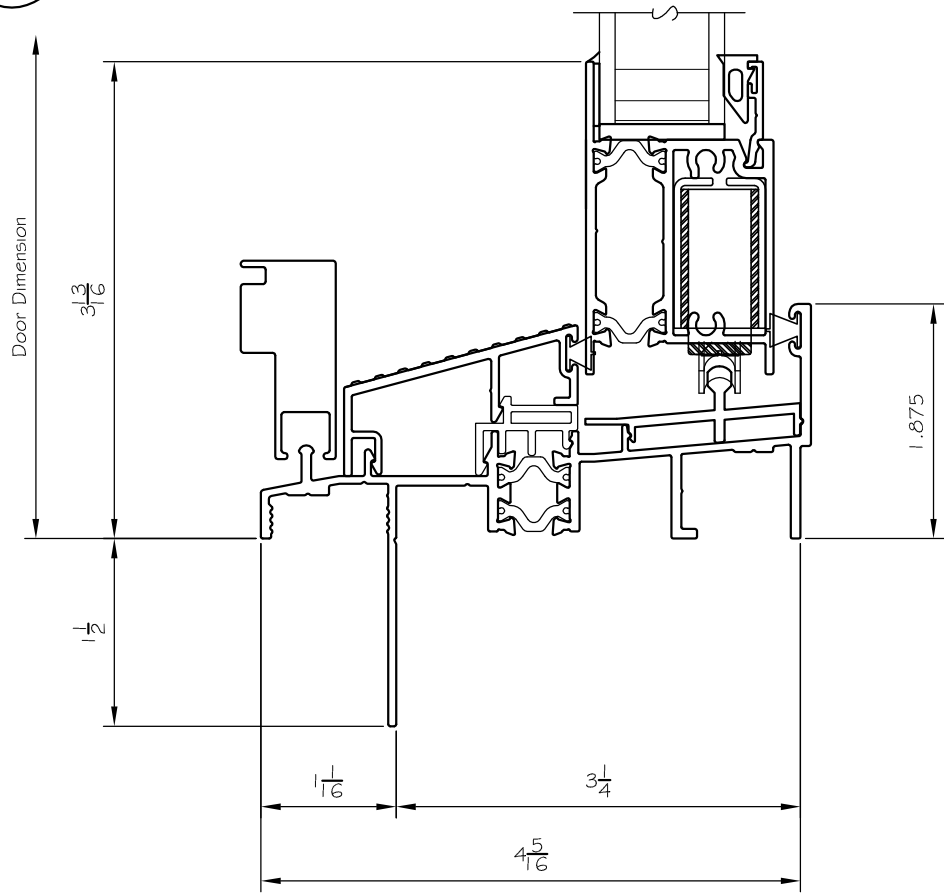


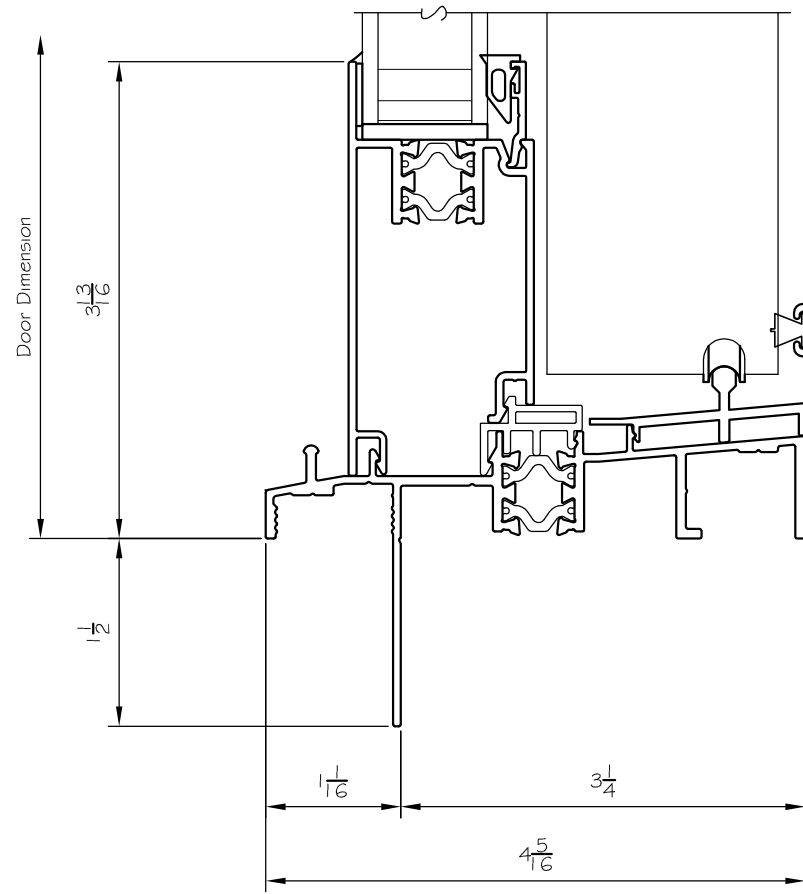
2 Head at Sash



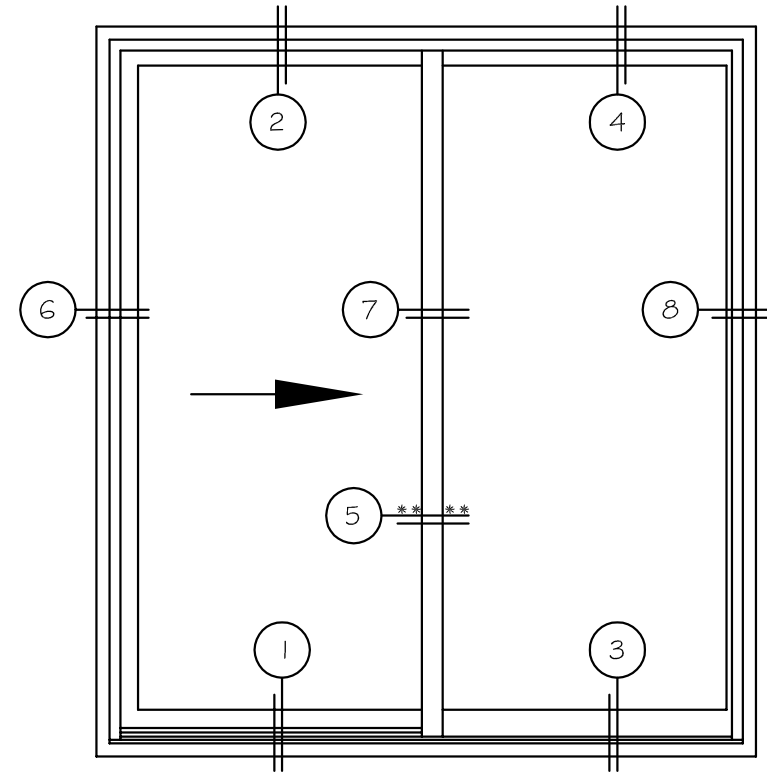
4 Head at Fixed



1 Threshold at Sash



3 Sill at Fixed



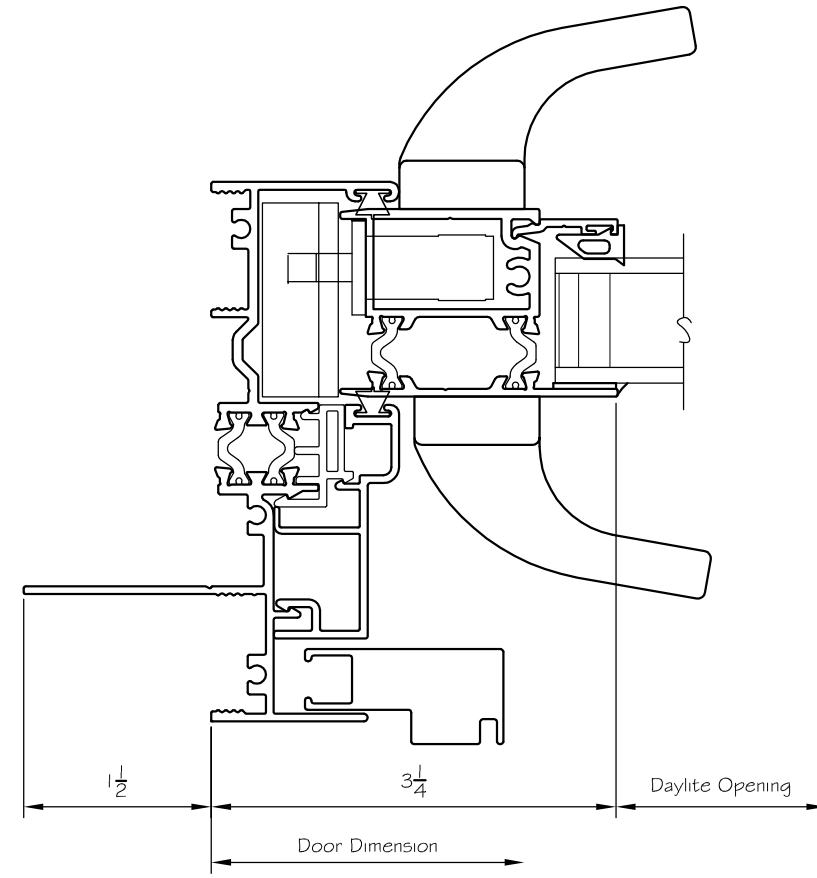
5400 SERIES SLIDING PATIO DOOR

GERKIN WINDOWS & DOORS RESERVES THE RIGHT TO CHANGE OR DISCONTINUE MANUFACTURING ANY OF ITS STANDARD WINDOW SYSTEMS OR COMPONENTS WITHOUT PRIOR WRITTEN NOTICE.

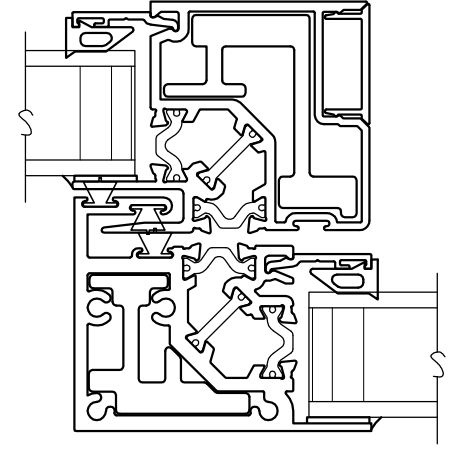
GERKIN™
WINDOWS & DOORS

Phone: 402-494-6000 Email: gerkin@gerkin.com

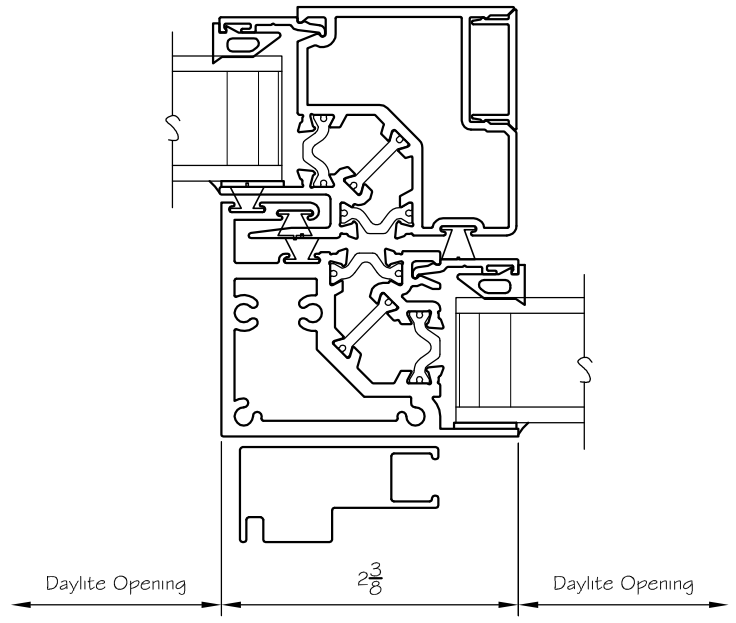
5400 SERIES SLIDING PATIO DOOR



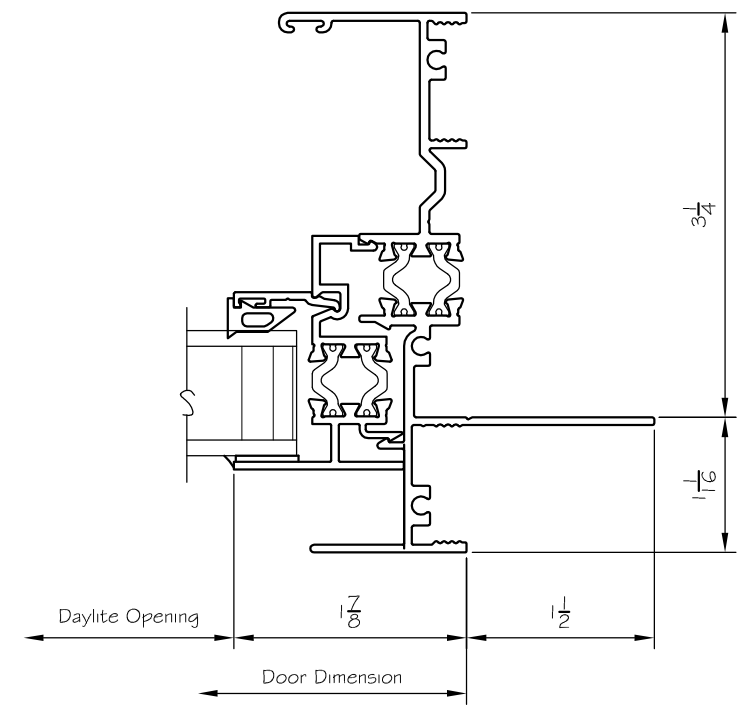
6 Sash Jamb



5 Interlock Rail with Rebar
** Reinforcement Required for Doors over 71 1/4" x 79 1/4" Door Dimension **



7 Interlock Rail



8 Fixed Jamb