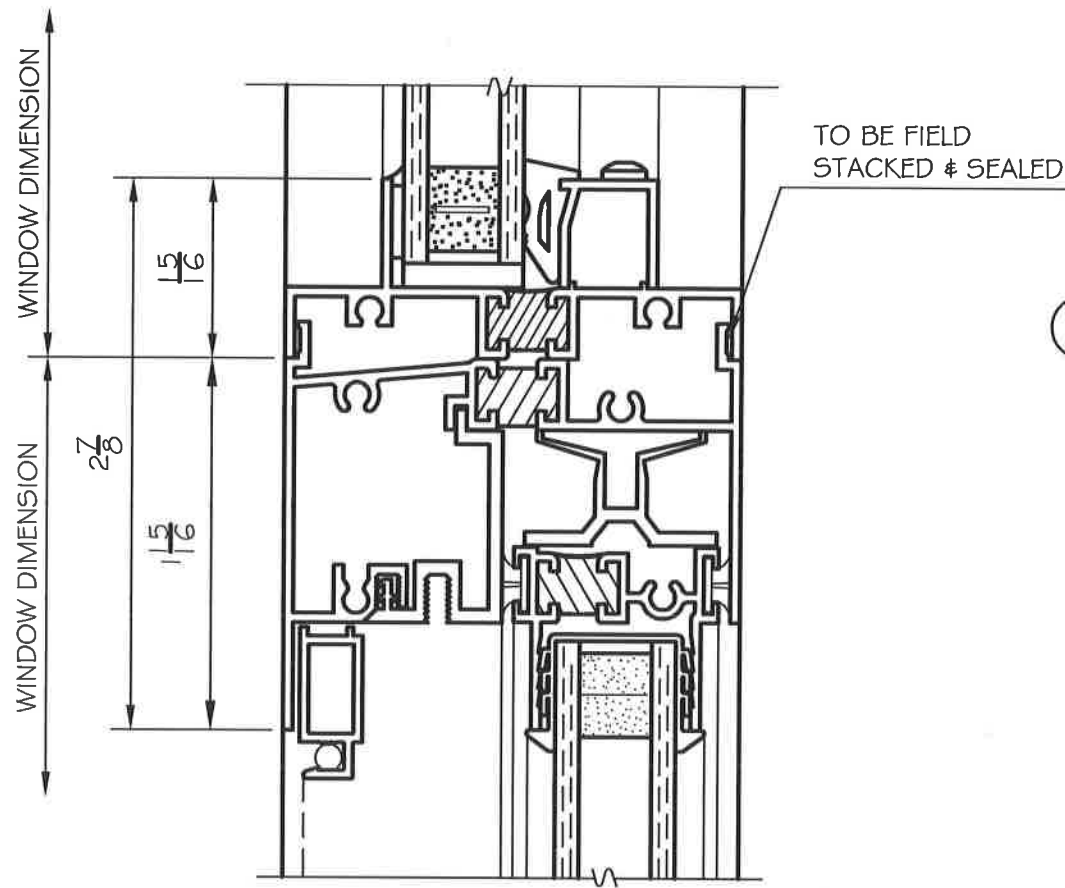
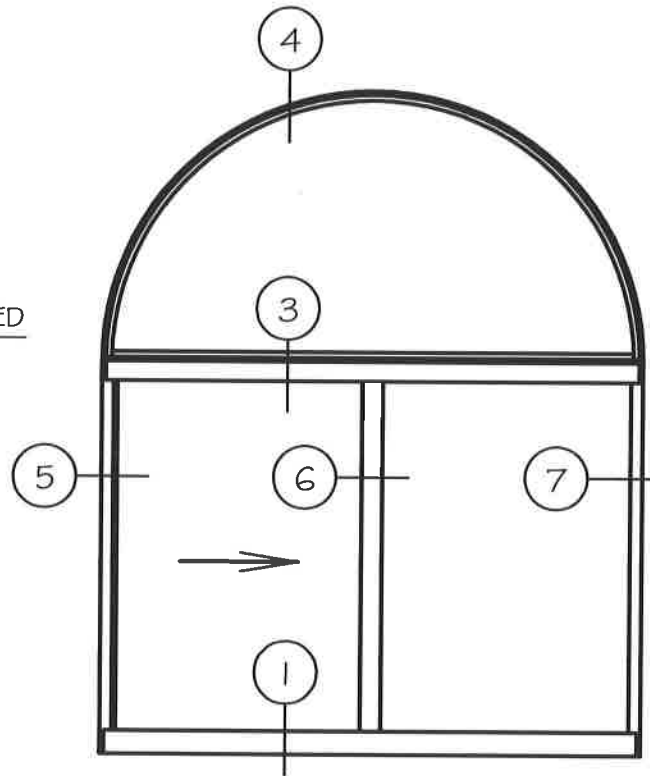
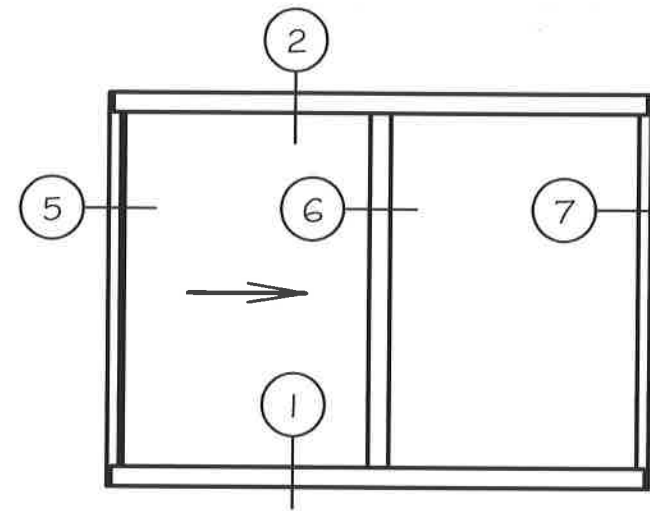


4 HEAD AT ROUND TOP



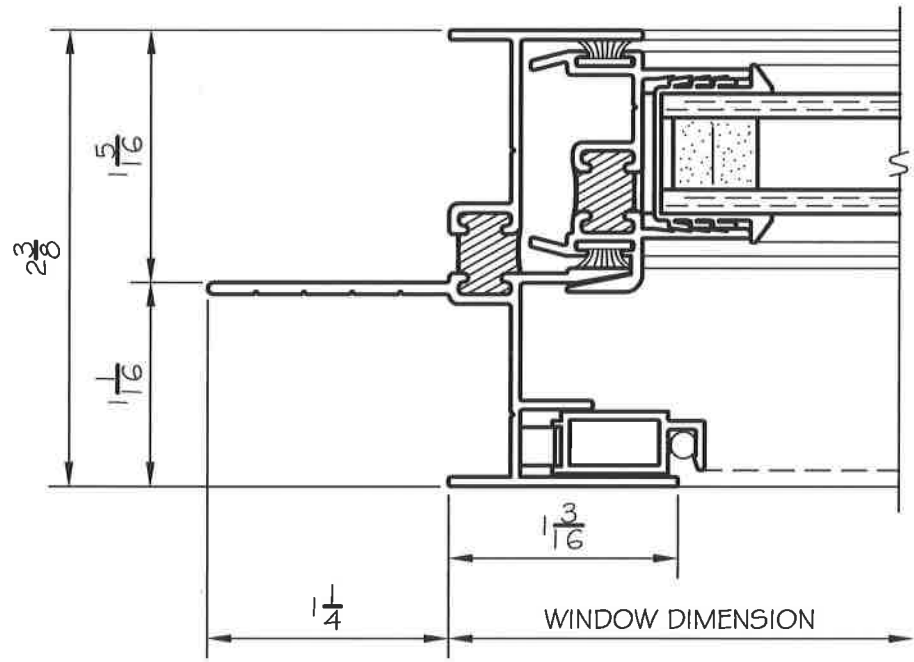
3 STACKING HEAD



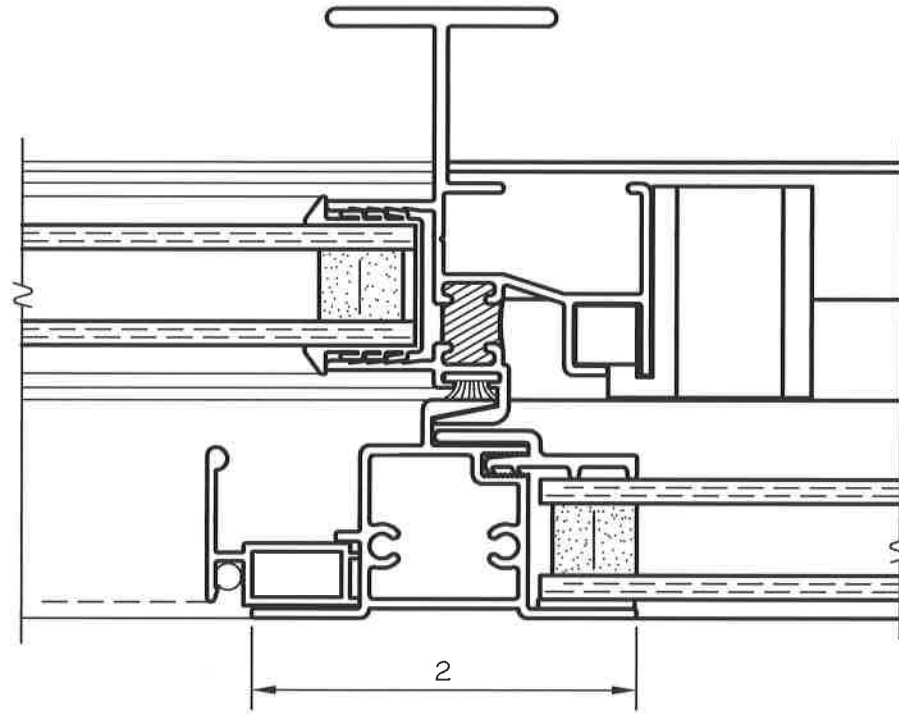
5045 SERIES HORIZONTAL SLIDING WINDOW

GERKIN WINDOWS & DOORS RESERVES THE RIGHT TO CHANGE OR DISCONTINUE MANUFACTURING ANY OF ITS STANDARD WINDOW SYSTEMS OR COMPONENTS WITHOUT PRIOR WRITTEN NOTICE.

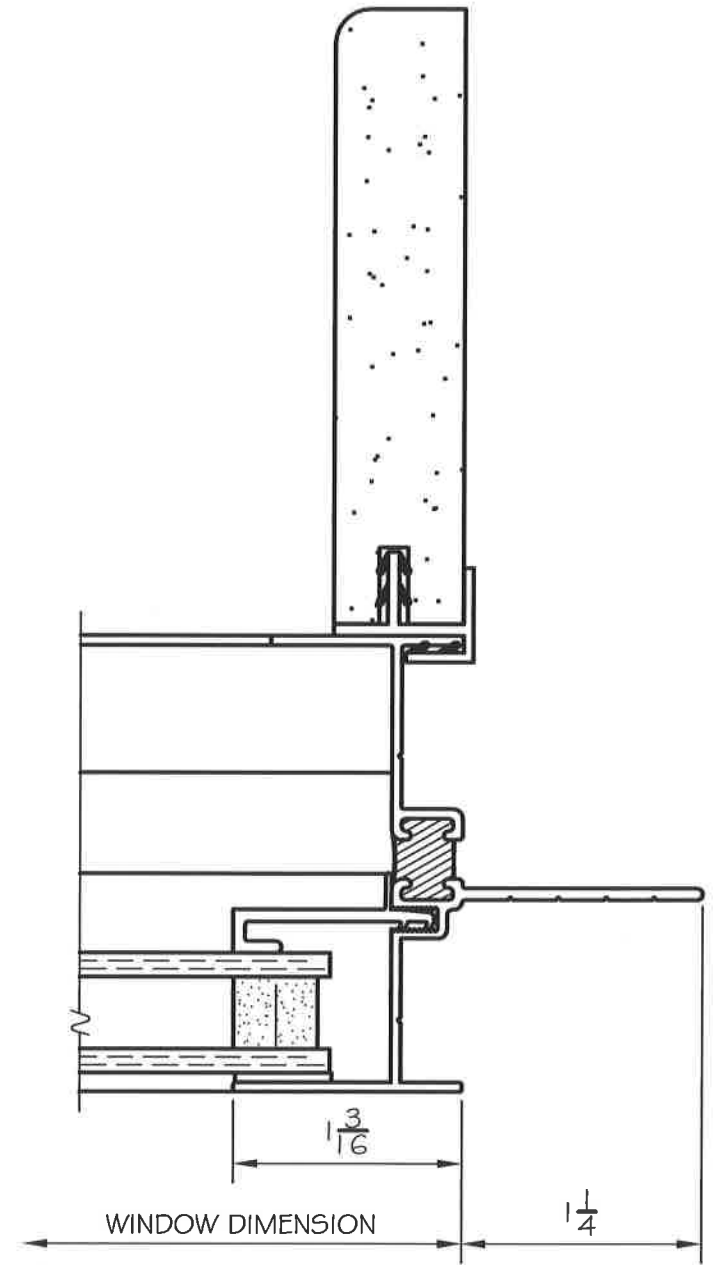
5045 SERIES HORIZONTAL SLIDING WINDOW



5 OPERATOR JAMB



6 MEETING RAIL



7 FIXED JAMB w/
EXTENSION JAMB



GERKIN™
WINDOWS & DOORS

Phone: 402-494-6000 Email: gerkin@gerkin.com