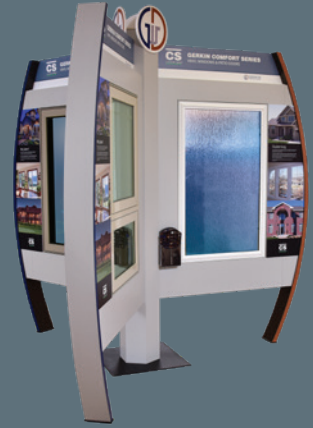




WINDOW & DOOR DISPLAY PROGRAM



800.475.5061 | gerkin.com

WINDOW & DOOR DISPLAY PROGRAM



From our beginning in 1932, our primary focus has been to manufacture energy saving window and door products. Throughout our history we have established ourselves as an innovator in the design and manufacturing capability of insulated windows and doors.

We have developed new branded and contemporary styled window and door displays to showcase our Comfort Series® and Rhino® lines of windows and doors. You can select the configurations that best fit your showroom needs. In addition, the displays offered are constructed for easy installation.

The Gerkin Windows and Doors' display program is intended to provide the high quality branded image you need in order to promote and sell our products. We look forward to seeing the displays in your showroom soon!

The modular display can be customized to fit in almost any floor space. Each window unit and patio door can be ordered as separate components and configured to fit in your showroom. A variety of windows and patio doors can be displayed to increase the visibility of Gerkin's quality products in your location. The display graphics promote the Gerkin brand and consist of feature and benefit information in order to create interest and increase sales of Gerkin Windows and Doors.



800.475.5061 | gerkin.com

WINDOW & DOOR DISPLAY PROGRAM

DISPLAY | WINDOW WALL & PATIO DOOR WINDOW WALL



DISPLAY | TRIPLE WINDOW



DISPLAY | DOUBLE WINDOW

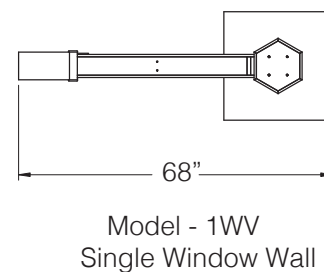
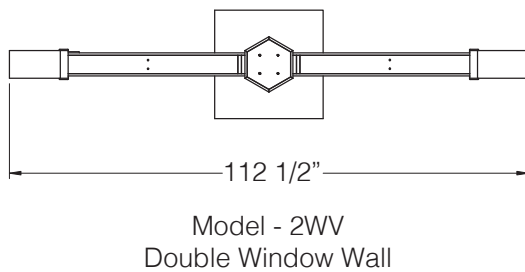
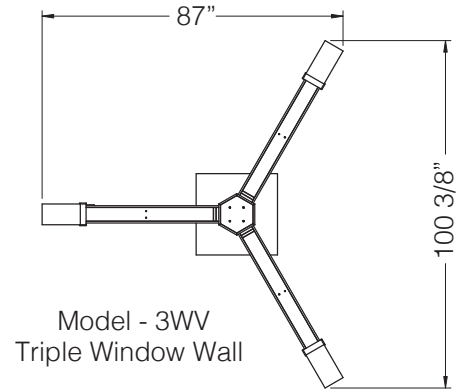
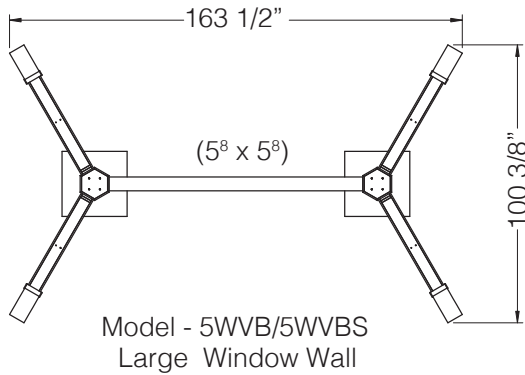
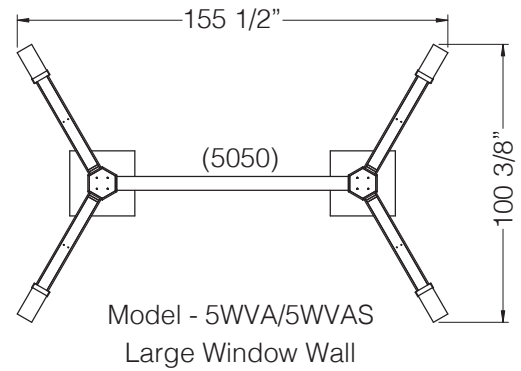
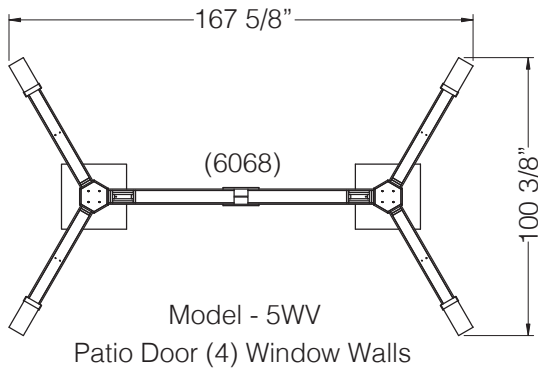


DISPLAY | SINGLE WINDOW



WINDOW & DOOR DISPLAY PROGRAM

DISPLAY | DIMENSIONS



NOTE: All small wings use 2⁶ x 4⁶ size windows. When ordering, use model number and window types.