



58F

ALUMINUM FIXED WINDOW



800.475.5061 | gerkin.com

58F

ALUMINUM FIXED WINDOW

DECADES OF PROVEN PERFORMANCE

The 58F series offers a great alternative to storefront systems. We have designed this window to look like storefront but offer superior thermal performance, water resistance, and air infiltration. This window is capable of meeting Energy Star requirements in all climate zones with our standard Low E glass. Gerkin's internal water management weep system and optional nail fin make this window a great alternative to poor performing storefronts. The quality workmanship is also far superior to storefront because we build and glaze our windows completely in our climate-controlled factory, unlike storefront, which is assembled on site.

When you want the look of storefront with a higher performance level, look to Gerkin's model 58F.



58F

ALUMINUM FIXED WINDOW

58F FIXED | FEATURES

**Thermal Breaks:**

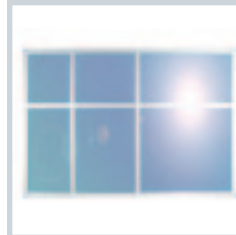
This window features a 4 5/16" frame depth with a thermal bar thermal break. This thermal break system helps this window achieve u-values as low as .30 (3/16" or 1/4" glazing required).

**Double Wall Mainframe:**

This feature gives our window more structure and stability than our single wall window and storefront competitors.

**Dual Wall Drainage:**

The dual wall allows us to build in an internal water drainage system. This system will prevent water from seeping into the building wall, unlike storefront which must use sill flashing with end dams.

**Equal Site Lines:**

When horizontal and vertical rails intersect, the sight lines will remain equal in windows up to 99" tall. Even when windows are field mull, the field mull looks like a factory mull. Other mulling options are available up to 144" tall.

**Interior or Exterior Glazed:**

This option allows the window to be ordered as interior or exterior glazing. (The standard glazing is to the interior.)

**Color Options:**

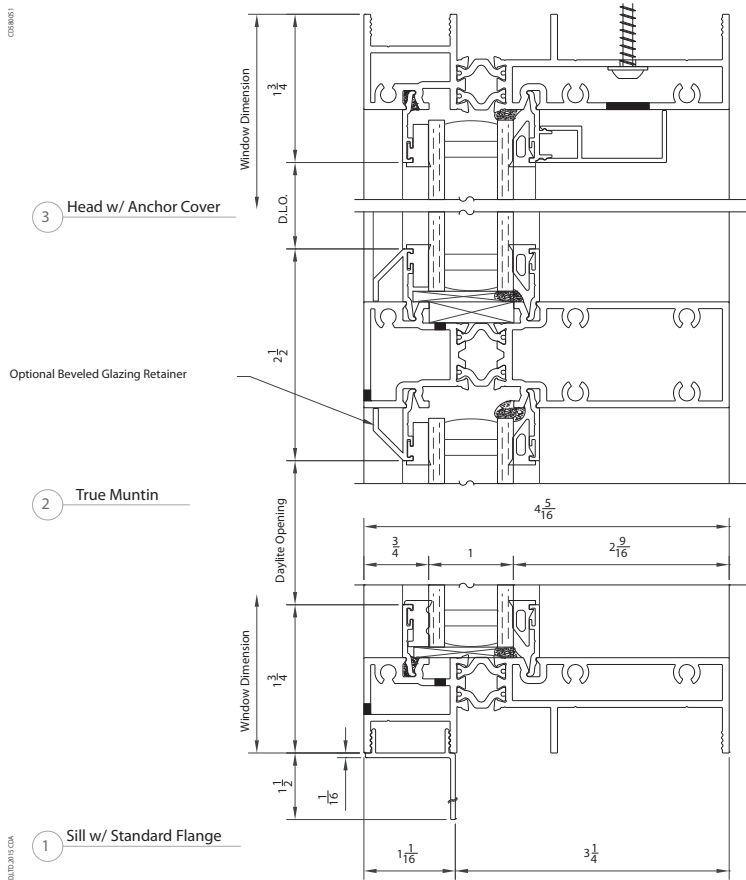
- White
- Bronze
- Clear Anodized
- Dark Bronze Anodized

58F

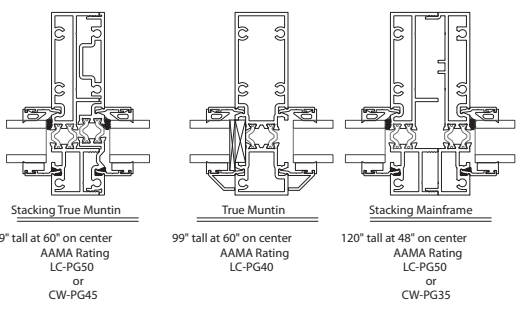
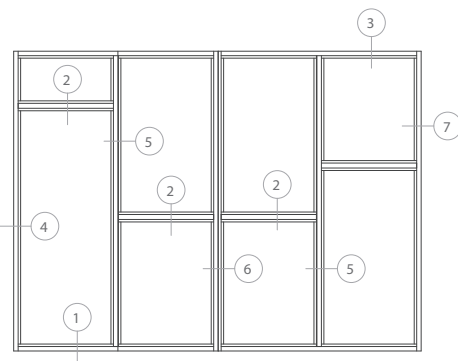
ALUMINUM FIXED WINDOW

58F FIXED | DETAILS

02/06/21



02/06/21 20:15 CDA



SHEET NO: 1

5800 SERIES FIXED WINDOW

GERKIN WINDOWS & DOORS RESERVES THE RIGHT TO CHANGE OR DISCONTINUE MANUFACTURING ANY OF ITS STANDARD WINDOW SYSTEMS OR COMPONENTS WITHOUT PRIOR WRITTEN NOTICE.



58F

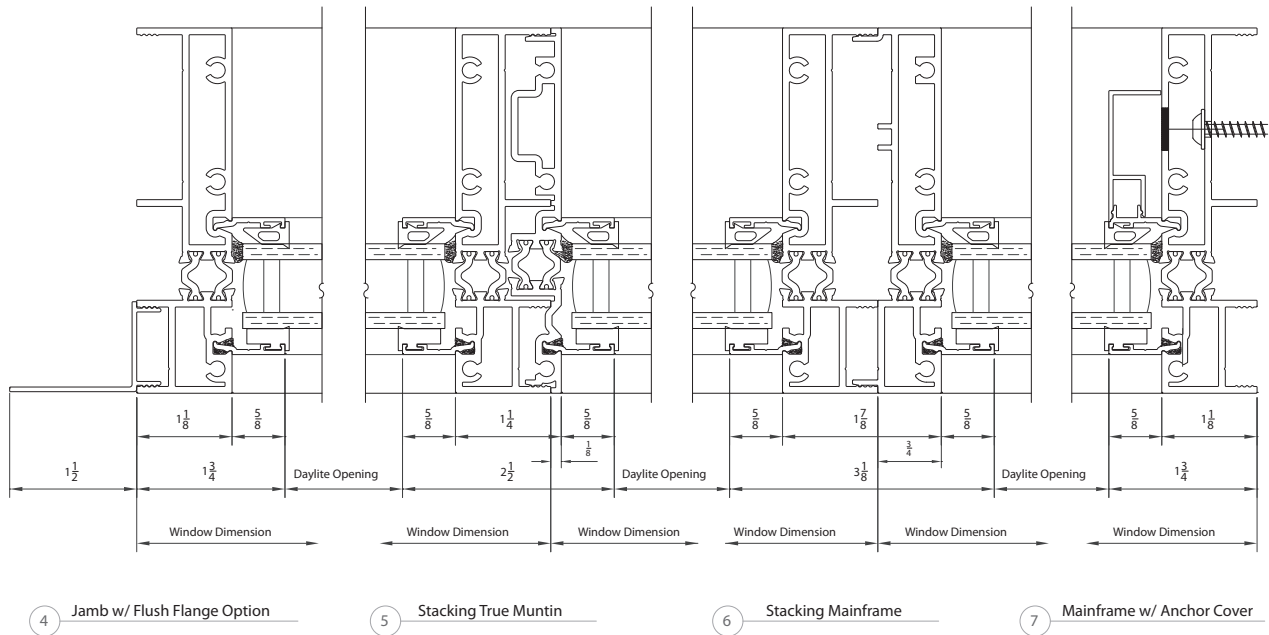
ALUMINUM FIXED WINDOW

58F FIXED | DETAILS

SHEET NO:

2

5800 SERIES FIXED WINDOW



58F FIXED | TEST RESULTS

| NFRC TEST RESULTS | |
|-----------------------------|-----|
| U-Value w/LoÉ3/Argon | .33 |
| Solar Heat Gain Coefficient | .24 |
| Visible Transmittance | .56 |
| Condensation Resistance | 59 |
| U-Value Air Only* | .37 |

| AAMA TEST RESULTS | |
|--|--|
| Test Window 95" x 120" 2-Lite With Stacking Mainframe | |
| Class | CW-PG35-FW |
| Air Infiltration | 0.01 cfm/sq.ft @ 25 mph 0.02 cfm/sq.ft @ 50 mph |
| Water | 12.0 psf |
| Structural Wind Load | 52.5 psf |
| Indoor/Outdoor Sound Transmission Class | 27 |
| Sound Transmission Class (w/ 1/4 LAM X 1/8 A) | 34 |

| AAMA TEST RESULTS | |
|--|--|
| Test Window 95" x 120" 2-Lite With Stacking Mainframe | |
| Class | LC-PG50-FW |
| Air Infiltration | 0.01 cfm/sq.ft @ 25 mph 0.02 cfm/sq.ft @ 50 mph |
| Water | 12.0 psf |
| Structural Wind Load | 75.0 psf |
| Indoor/Outdoor Sound Transmission Class | 27 |
| Sound Transmission Class (w/ 1/4 LAM X 1/8 A) | 34 |

| AAMA TEST RESULTS | |
|--|---|
| Test Window 178" x 99" 3-Lite With Stacking True Muntin | |
| Class | CW-PG45-FW |
| Air Infiltration | <.01 cfm/sq. ft. @ 25 mph .01 cfm/sq. ft. @ 50 mph |
| Water | 12.0 psf |
| Structural Wind Load | 67.5 psf |
| Indoor/Outdoor Sound Transmission Class | 27 |
| Sound Transmission Class (w/ 1/4 LAM X 1/8 A) | 34 |

58F FIXED | TEST RESULTS

| AAMA TEST RESULTS | |
|--|---|
| Test Window 178" x 99" 3-Lite With Stacking True Muntin | |
| Class | LC-PG40-FW |
| Air Infiltration | <.01 cfm/sq. ft. @ 25 mph .01 cfm/sq. ft. @ 50 mph |
| Water | 12.0 psf |
| Structural Wind Load | 60.0 psf |
| Indoor/Outdoor Sound Transmission Class | 27 |
| Sound Transmission Class (w/ 1/4 LAM X 1/8 A) | 34 |

| AAMA TEST RESULTS | |
|--|---|
| Test Window 178" x 99" 3-Lite With Stacking True Muntin | |
| Class | LC-PG50-FW |
| Air Infiltration | <.01 cfm/sq. ft. @ 25 mph .01 cfm/sq. ft. @ 50 mph |
| Water | 12.0 psf |
| Structural Wind Load | 75.0 psf |
| Indoor/Outdoor Sound Transmission Class | 27 |
| Sound Transmission Class (w/ 1/4 LAM X 1/8 A) | 34 |

*U-Values for our windows with 1/8" 366 LoÉ3 glass, air only, 1/8" clear glass, no muntins or argon in the air space.

Tested and Certified to AAMA/WDMA/CSA 101/I.S.2 A440-08 U-Value/SHGC/VT/CRF
Tested to NFRC 100/200/500 (With 1" Insulated Glass Unit With 1/8" 366 And 1/8" Clear)



800.475.5061 | gerkin.com