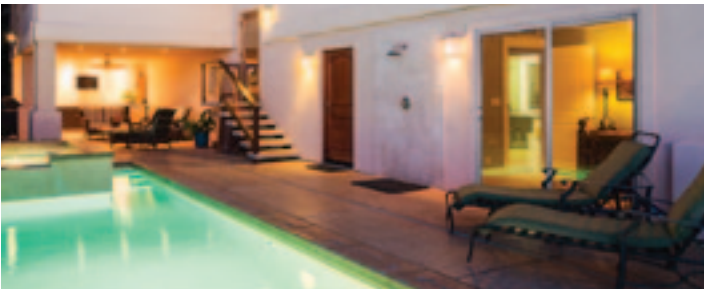




5400

ALUMINUM PATIO DOOR



800.475.5061 | gerkin.com

5400

ALUMINUM PATIO DOOR

DECADES OF PROVEN PERFORMANCE

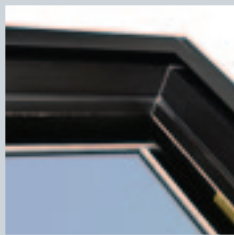
Our new model 5400 sliding patio door is a great product for the commercial market as well as for the modern home market. This door is fully assembled in our plant to ensure tighter doors that are built with the quality that we demand. This door is a perfect mate for the 58F fixed window. Both have the same frame depth and can be grouped together for walls of glass and doors. The 5400 is available in five standard sizes in a two lite configuration. We also offer custom sizes.



5400

ALUMINUM PATIO DOOR

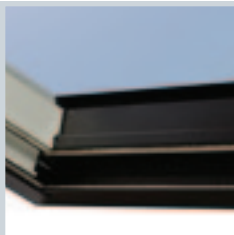
5400 PATIO DOOR | DETAILS



Fully Factory Assembled Frame:
Eliminates poor quality field fabrication.



Upsize Stainless Steel Rollers:
Larger rollers made of stainless steel offer superior operation.



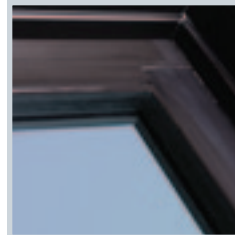
Extruded Aluminum Roller Track:
Unlike most roller tracks that use a "cap" over the track, this extruded track is stronger and will offer longer roller life with consistent, smooth operation.



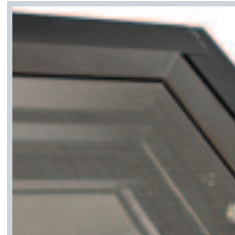
Color Options:
Clear Anodized
Dark Bronze Anodized



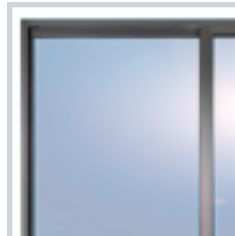
Thermal Bar Break:
With the use of the most efficient thermal break in the industry, this door offers impressive thermal performance.



1" Insulated Glass with Super Spacer:
We insulate our own glass with Super Spacer®. This spacer has the best thermal ratings of any spacer on the market. It also offers an industry best seal and argon retention.



Commercial Extruded Screen:
We've bucked the trend in offering a commercial strength screen frame, which is built to far exceed the performance of lightweight residential screens.



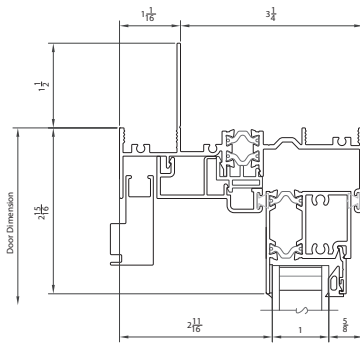
Sizes Available:
96"x 96", 72"x 96", 96"x 80", 72"x 80"
and 60"x 80".

5400

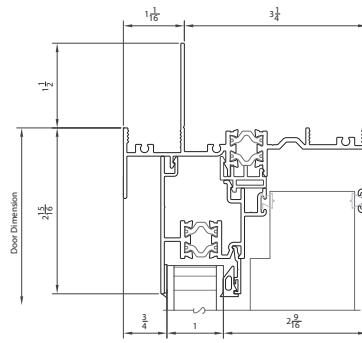
ALUMINUM PATIO DOOR

5400 PATIO DOOR | DETAILS

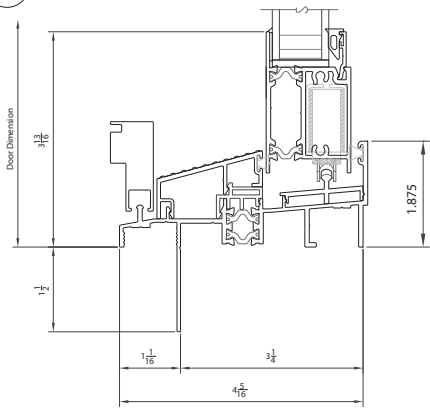
003/06/1



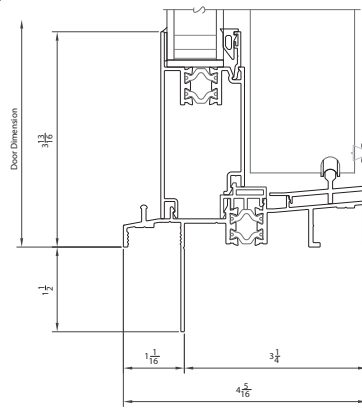
2 Head at Sash



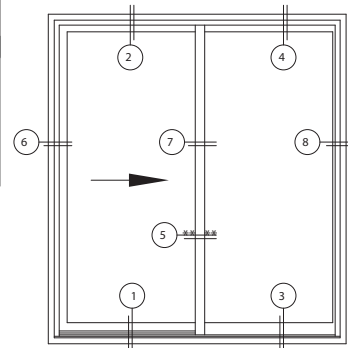
4 Head at Fixed



1 Threshold at Sash



3 Sill at Fixed



SHEET NO: 1

5400 SERIES SLIDING PATIO DOOR

003/06/1

GERKIN WINDOWS & DOORS RESERVES THE RIGHT TO CHANGE OR DISCONTINUE MANUFACTURING ANY OF ITS STANDARD WINDOW SYSTEMS OR COMPONENTS WITHOUT PRIOR WRITTEN NOTICE.



5400

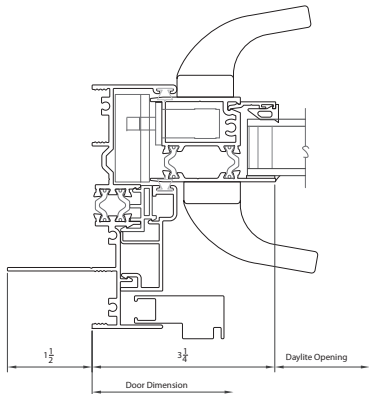
ALUMINUM PATIO DOOR

5400 PATIO DOOR | DETAILS

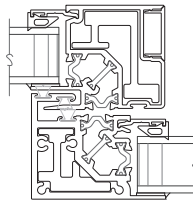
SHEET NO:

2

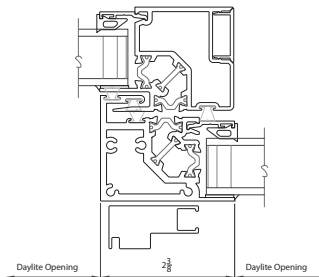
5400 SERIES SLIDING PATIO DOOR



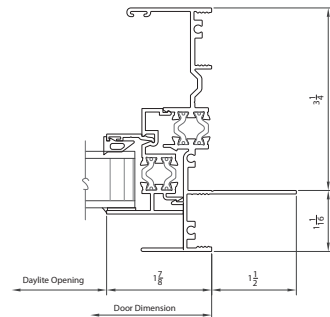
6 Sash Jamb



5 Interlock Rail with Rebar
**Reinforcement Required for Doors over 71 1/4" x 79 1/4" Door Dimension



7 Interlock Rail



8 Fixed Jamb



5400

ALUMINUM PATIO DOOR



5400 PATIO DOOR | TEST RESULTS

NFRC TEST RESULTS	
U-Value w/LoÉ³/Argon	.37 ¹ .32 ²
Solar Heat Gain Coefficient	.23
Visible Transmittance	.53
Condensation Resistance	43

AAMA TEST RESULTS	
Test Window 5400	96x96
Class	LC-PG40
Air Infiltration	.06 cfm/sq.ft.
Water	6.0 psf
Indoor/Outdoor Sound Transmission Class	28
Sound Transmission Class (w/ 1/4 LAM X 1/8 A)	34



AAMA TEST RESULTS	
Test Window 5400	72x80
Class	LC-PG45
Air Infiltration	.06 cfm/sq.ft.
Water	6.9 psf
U-Value w/LoÉ³/Argon	.37 ¹ .32 ²
Solar Heat Gain Coefficient	.23
Indoor/Outdoor Sound Transmission Class	28
Sound Transmission Class (w/ 1/4 LAM X 1/8 A)	34

*U-Values for our windows with 1/8" 366 LoÉ³ glass, air only, 1/8" clear glass, no muntins or argon in the air space.

¹w/LoÉ³ 366

²w/LoÉ³ 366 and i89

Gerkin has tested a 96" x 96" and a 72" x 80" 2-Lite door which meets AAMA rated "Gold Label" certification.

Tested and Certified to AAMA/WDMA/CSA 101/LS.2 A440-08



800.475.5061 | gerkin.com